



Instruction and Safety Booklet

Livret d'instructions et de sécurité

Charging Stand with Qi2

Support De Charge Compatible Qi2

Input: 5V≐3A, 9V≐3A, 12V≐3A, 15V≐2.5A
Output: 15W Qi2 / 5W Qi (7.5 iPhone®) / 5W Pogo Connector



FCC ID: 2AN72-A789 IC: 26279-A789

Model no: A-789

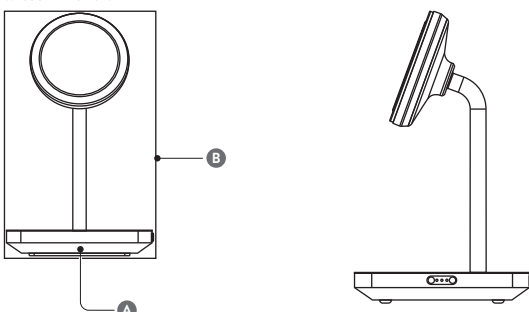
EN

Before Use

- Please read this guide before using the product in order to ensure safe and proper use.
- Please consult your device packaging to determine whether this product is compatible with your device.
- Your consumer rights are governed by the law of the country in which you purchased the product. Please contact your service provider for more information.

Charging Stand with Qi2

What's In The Box?



- A** Charging Stand with Qi2
- B** Charging Cable - Located Underneath

How To Set Up Your Charging Stand with Qi2

1. Carefully remove the charging stand and the USB-C cable from the packaging.
2. Plug one end of the USB-C cable into the charging stand and the other end into a power adaptor that can deliver at least 30 watts of power for optimal performance. If you're not sure about your adaptor's power rating, please refer to its documentation or consult the manufacturer.
3. Plug the power adaptor into an electrical outlet.
4. Check that LED B (the bottom LED) on the base of the charging stand flashes twice in a bright white colour. This confirms that the stand is powered and working correctly.
5. Place your Qi2-enabled device on the Qi2 module of the charging stand. Once aligned correctly, you should feel a slight magnetic pull as the device snaps into place.
6. Place your wireless charging-enabled device (such as earphones) on the secondary coil, which is centred under the material plate on the base of the charging stand. Once aligned correctly, both indicator LEDs on the stand (and your devices) will light up.
7. Check that the corresponding LED (A, B or both) remains white while your device(s) is charging. This indicates that the charging stand and your device are properly connected and communicating with each other.
8. Once your device is fully charged, the corresponding LED on the charging stand will turn off automatically. This indicates that your device is ready to use and can be safely removed from the charging stand.

Understanding The LEDs On Your Charging Stand with Qi2

- The LEDs on our Charging Stand with Qi2 provide important information about the charging status of your device. Here's what you need to know:
- When connected to a power source via USB-C cable:
 - A solid red light means the power source is less than 20W and the charger will not function properly.
 - A flashing red light indicates the foreign object detector has been triggered on the respective coil.
 - A white flash means the power source is between 20W and 30W and the pogo connector will not function properly.
 - Two white flashes mean the power source is 30W or higher and the charger is fully functional.

When your device is placed on the Qi2 module:

- LED A (the top one) will turn solid white to indicate your device is charging.
- LED B will turn off once your device is fully charged.
- When the charging stand is in standby, no LED will appear.
- A continuous, rapid white flash indicates an unstable voltage and that the power source is of low quality. Try again with a different one.

When your device is placed on the secondary coil:

- LED B (the bottom one) will turn solid white to indicate your device is charging.
- LED B will turn off once your device is fully charged.
- When the charging stand is in standby, no LED will appear.
- A continuous, rapid white flash indicates an unstable voltage and that the power source is of low quality. Try again with a different one.

How To Connect Your Charging Stand with Qi2 to the Elevated Apple Watch® Charger Using The Pogo Connector

- Our Elevated Apple Watch® Charger (sold separately) has a magnetic pogo connector that allows it to connect to and draw power from our Charging Stand with Qi2 without needing to use a USB-C cable. Follow these instructions to get started:
- Ensure the Charging Stand with Qi2 is connected via USB-C and receiving power.
- Position the Elevated Apple Watch® Charger near the pogo pins on the Charging Stand with Qi2.
- The magnetic pogo connector will pull the Elevated Apple Watch® Charger into the right position and automatically connect.
- Place your Apple Watch® on the charging module.

How To Safely And Best Use Your Charging Stand with Qi2

- Ensure there are no metallic objects between the Qi2 module and your phone, or the secondary coil and the device on it as this may interfere with charging. If the foreign object detector does not activate, the devices have the power source and will burn the user or damage its surroundings.
- If you're using an accessory with your phone case, for example a Mous® Card Wallet, please remove it as it may affect the charge performance.
- The magnetic array design ensures that you'll receive a well optimised charge every time. Ensure the magnets snap to position, otherwise your mobile device may not charge properly.
- For the secondary coil, ensure the centre of the device is aligned with the centre of the material plate for optimum charging performance.
- If there is a thick case on your secondary device please remove it as it may affect performance.
- For best charging performance, we recommend you use a 30W power delivery wall adaptor, or a 45W if using the pogo connector.
- For best results, use with a Qi2-enabled phone or phone case.
- If you are not using a Qi2-enabled phone or phone case, you won't be able to achieve proper alignment – the magnetic connection will not be strong enough to secure the phone onto the Qi2 head.

Important Safety Instructions – Warning

- Read all instructions and warnings prior to using this product. Improper use of this product may result in product damage, excess heat, toxic fumes, fire or explosion, for which damages you get very hot.
- Do not place metal objects between your phone and charger as the charger may get very hot.
 - Do not use or store devices in high-temperature environments, including heat caused by intense sunlight or other forms of heat, as this may reduce charge efficiency or reduce lifespan of the product.
 - Do not place product in fire or other excessively hot environments. Exposure to fire or extremely high heat may cause explosion.
 - This product is fitted with magnets. Pacemaker and ICD users are advised not to position the Charging Stand with Qi2 within 20cm radius of their implanted device as it may cause interference.
 - Do not expose the Charging Stand with Qi2 to water. Exposure to water may result in short circuiting.
 - Do not use the Charging Stand with Qi2 in excess of its output rating. Overloading outputs above rating may result in a risk of fire or injury to persons.
 - Do not disassemble this product or attempt to repurpose or modify it in any manner.
 - Do not attempt to replace any part of this device. Any modification or disassembly may result in a void of warranty.
 - Use of a power supply or charger not recommended by Mous® may result in a risk of fire or injury to persons.
 - If this device is accessible to or may be used by a minor, the purchasing adult agrees to be solely responsible for providing supervision, instruction, and warnings. Purchaser agrees to defend, indemnify, and hold Manufacturer harmless for any claims or damages arising from unintended use or misuse by a minor.
 - All products have gone through a thorough quality assurance inspection. If you find that your device is excessively hot, is emitting odour, is deformed, abraded, cut, or is experiencing or demonstrating an abnormal phenomenon, immediately stop all product use and contact Mous.
 - Switch off the Charging Stand with Qi2 when not in use.
 - X To disconnect the Charging Stand with Qi2 in line voltage, pull the AC Adapter from the AC outlet.
 - X To comply with FCC RF exposure compliance requirements, the Charging Stand with Qi2 must be used with a separation distance of at least 20cm from all persons.

Legal

This product is meant for use only in conjunction with the appropriate device. Please consult your device packaging to determine whether this product is compatible with your particular device. Manufacturer is not responsible for any damages to any device incurred through the use of this product. Manufacturer shall not in any way be liable to you or to any third party for any damages you or any third party may suffer as a result of use, intended or unintended, or misuse of this product in conjunction with any device or accessory other than the appropriate device for which this product is designed. Manufacturer will not be responsible for any damages you or any third party may suffer as a result of misuse of this product as outlined above. Purchaser agrees to defend, indemnify, and hold Manufacturer harmless for any claims or damages arising from unintended use or misuse, including use with an unintended device. Mous® is a trademark of Mous Products Ltd. The Qi2 logo is a trademark of the Wireless Power Consortium. Apple®, MagSafe® and Apple Watch® are trademarks of Apple Inc.

FCC Statement

This device complies with part 15 of the FCC Rules. Operation is subject to the following two conditions: (1) This device may not cause harmful interference, and (2) this device must accept any interference received, including interference that may cause undesired operation.

Any changes or modifications not expressly approved by the party responsible for compliance could void the user's authority to operate the equipment. This equipment has been tested and found to comply with the limits for a Class B digital device, pursuant to part 15 of the FCC Rules. These limits are designed to provide reasonable protection against harmful interference in a residential installation. This equipment generates, uses, and can radiate radio frequency energy and, if not installed and used in accordance with the instructions, may cause harmful interference to radio communications. However, there is no guarantee that interference will not occur in a particular installation. If this equipment does cause harmful interference to radio or television reception, which can be determined by turning the equipment off and on, the user is encouraged to try to correct the interference by one or more of the following measures:

- Reorient or relocate the receiving antenna.
- Increase the separation between the equipment and receiver.
- Connect the equipment into an outlet on a circuit different from that to which the receiver is connected.
- Consult the dealer or an experienced technician for help.

FCC Radiation Exposure Statement

The equipment complies with FCC radiation exposure limits set forth for an uncontrolled environment. This equipment should be installed and operated with a minimum distance of 20cm between the radiator and your body. To comply with the limits of the Class B digital device, pursuant to Part 15 of the FCC Rules, this device must be used with certified peripherals and shielded cables. All peripherals must be shielded and grounded. Operation with non-certified peripherals or non-shielded cables may result in interference to radio or reception.

FCC Statement of Compliance

Mous® declares that the radio equipment wireless charging base is in compliance with Directive 2014/53/EU. The full text of the EU declaration of conformity is available at the following internet address: www.mous.co

Technology	WPT
Operating Frequency Range	Qi2 Module (Coil 1): For Phone: 113kHz-205kHz, 360kHz, Qi Module (Coil 2): For Earphone: 113kHz-205kHz.
Maximum field strength	23.02 dBuA/m (@3m)
Manufacturer	Shenzhen Powerqi Technology Co., Ltd
Manufacturer address	201, 302, 401, BuildingA4, Block A, Fangxing Science&Tech.Park, No.13 of BaoNan Road, Longgang Community, Longgang Street, Longgang District, Shenzhen, China

IC Statement

Radio Standards Specification RSS-Gen, issue 5. This device contains license-exempt transmitter(s)/receiver(s) that comply with Innovation, Science and Economic Development Canada's licence-exempt RSS(s). Operation is subject to the following two conditions:

- This device may not cause interference.
- This device must accept any interference, including interference that may cause undesired operation of the device.

IC RF Exposure Statement

The equipment complies with IC Radiation exposure limit set forth for uncontrolled environment. This equipment should be installed and operated with minimum distance 10cm between the radiator and your body.

WEEE Declaration

All of our products are marked with the WEEE symbol; this indicates that this product must NOT be disposed of with other waste. Instead it is the user's responsibility to dispose of their waste electrical and electronic equipment by handing it over to an approved re-processor, or by returning it to Mous® for reprocessing. For more information about where you can send your waste equipment for recycling, please visit www.mous.co

Warranty

At Mous®, we are dedicated to making high quality products that last. To give you peace of mind, this product is warranted for 2 years from the date of delivery. For full details regarding warranty terms and exclusions, please visit www.mous.co/warranty. This warranty does not affect any statutory rights that you may be entitled to. Keep a copy of your purchase receipt as proof of purchase.

Customer Service

Need some extra help? Do get in touch with us at www.mous.co/pages/help

DE

Vor dem Gebrauch

- Zur sicheren und ordnungsgemäßen Verwendung dieses Geräts lesen Sie bitte diese Anweisungen vor dem Gebrauch.
- Bitte sehen Sie sich zunächst die Verpackung gut an, damit Sie entscheiden können, ob sich dieses Produkt zur Verwendung mit Ihrem Gerät tatsächlich eignet.
- Ihre Konsumentenrechte unterliegen den Gesetzen des Landes, in dem Sie das Produkt gekauft haben. Für weitere Informationen darüber wenden Sie sich bitte an Ihren Dienstleistungsanbieter.

Wichtige Sicherheitsanweisungen – Warnungen

- Lesen Sie bitte sämtliche Anweisungen und Warnungen vor dem Gebrauch dieses Produkts. Unsachgemäßer Gebrauch dieses Produkts kann Produktschäden, Überhitzung, giftige Dämpfe, Feuer oder Explosionen hervorrufen, für deren Schadensersatz Sie (nachstehend „Käufer“) und nicht Mous Products Ltd. (nachstehend „Hersteller“) haftbar sind.
- X Platzieren Sie keinerlei Gegenstände zwischen dem Smartphone und dem Ladegerät, da dieses dadurch sehr heiß werden kann.
 - X Verwenden oder lagern Sie Geräte nicht in hohen Umgebungstemperaturen einschließlich durch starkes Sonnenlicht oder andere Wärmequellen bedingte Wärme, da damit die Ladeleistung oder die Lebensdauer des Produkts beeinträchtigt werden kann.
 - X Geben Sie das Produkt nicht ins Feuer und verbringen Sie es nicht in andere übermäßig heiße Umgebungen; Brandeinwirkung oder extreme Hitze kann Explosionen verursachen.
 - X Dieses Produkt ist mit Magneten versehen. Benutzern von Herzschrittmachern und implantierbaren Kardioverter-Defibrillatoren (ICD) wird empfohlen, das mit einer Ladestation mit Qi2 nicht innerhalb eines Radius von 20 cm ihres Implantats zu positionieren.
 - X Das mit einer Ladestation mit Qi2 darf nicht mit Wasser in Kontakt kommen. Einwirkung von Wasser kann nämlich Kurzschlüsse hervorrufen. Falls ein Kurzschluss eintreten sollte, muss das Gerät sofort vom Stromnetz getrennt werden.
 - X Die Ausgangsleistung des mit einer Ladestation mit Qi2 darf nicht überschritten werden. Eine damit herbeigeführte Überlastung kann Brandgefahren oder Körperverletzungen verursachen.
 - X Dieses Produkt darf weder auseinander genommen bzw. zweckentfremdet verwendet noch in irgendeiner Weise abgeändert werden.
 - X Es dürfen keinerlei Teile dieses Geräts ersetzt werden. Jegliche Abänderung oder jegliches Auseinandernehmen kann dazu führen, dass die Garantie ihre Gültigkeit verliert.
 - X Jegliche Verwendung einer Stromanschlusses oder eines Ladegeräts, der/das nicht von Mous® empfohlen ist, kann Brandgefahren oder Körperverletzungen hervorrufen.
 - X Falls dieses Gerät Minderjährigen zugänglich gemacht oder von Minderjährigen verwendet wird, verpflichten sich die betreffenden erwachsenen Käufer, für die entsprechende Beaufsichtigung, Einweisung und Warnungserteilung die Verantwortung zu übernehmen. Mit dem Kauf des Geräts verpflichten sich dessen Käufer, den Hersteller hinsichtlich jeglicher Ansprüche, Schäden und Verluste zu verteidigen, entschädigen und schadlos zu halten, die durch unbeabsichtigte oder unsachgemäße Verwendung erwachsen, einschließlich der Verwendung mit einem nicht dafür vorgesehenen Gerät. Mous® ist ein Warenzeichen von Mous Products Ltd. Das Qi2-Logo ist eine Marke des Wireless Power Consortium. Apple®, MagSafe® und Apple Watch® sind Warenzeichen von Apple Inc.

Gesetzliche Belange

Dieses Produkt ist ausschließlich für den Gebrauch in Verbindung mit einem zweckentsprechenden Gerät bestimmt. Bitte sehen Sie sich zunächst die Verpackung gut an, damit Sie entscheiden können, ob sich dieses Produkt zur Verwendung mit Ihrem spezifischen Gerät eignet. Der Hersteller übernimmt keinerlei Haftung für Schäden, die an Geräten durch den Gebrauch dieses Produkts entstehen. Der Hersteller haftet weder Ihnen noch einer Drittpartei gegenüber für irgendwelche Schäden, die Ihnen oder einer Drittpartei durch den Gebrauch entstehen können, unbeschadet ob dies absichtlich oder unabsichtlich geschieht oder durch unsachgemäße Verwendung dieses Produkts in Verbindung mit einem Gerät oder Zusatzgerät, außer wenn ein derartiges Gerät zur Verwendung mit diesem Produkt geeignet ist. Der Hersteller übernimmt keine Verantwortung für Schäden, die Ihnen oder einer Drittpartei infolge einer wie oben dargelegten unsachgemäßen Verwendung entstehen können. Der Käufer verpflichtet sich sich, den Hersteller hinsichtlich jeglicher Ansprüche, Schäden und Verluste zu verteidigen, entschädigen und schadlos zu halten, die durch unbeabsichtigte oder unsachgemäße Verwendung erwachsen, einschließlich der Verwendung mit einem nicht dafür vorgesehenen Gerät. Mous® ist ein Warenzeichen von Mous Products Ltd. Das Qi2-Logo ist eine Marke des Wireless Power Consortium. Apple®, MagSafe® und Apple Watch® sind Warenzeichen von Apple Inc.

FCC Übereinstimmungserklärung

Mous® erklärt, dass das drahtlose Ladegerät den grundlegenden Anforderungen der Richtlinie 2014/53/EU über die Bereitstellung von Funkanlagen entspricht. Der gesamte Wortlaut dieser Konformitätserklärung der EU kann unter der Internetadresse www.mous.co aufgerufen werden.

Technologie	WPT
Betriebsfrequenzspektrum	Qi2-Modul (Spule 1): Für Telefon: 113kHz-205kHz, 360kHz, Qi-Modul (Spule 2): Für Kopfhörer: 113kHz-205kHz.
Maximale Feldstärke	23.02 dBuA/m (@3m)
Hersteller	Shenzhen Powerqi Technology Co., Ltd
Herstelleradresse	201, 302, 401, BuildingA4, Block A, Fangxing Science&Tech.Park, No.13 of BaoNan Road, Longgang Community, Longgang Street, Longgang District, Shenzhen, China

WEEE-Erklärung

Alle unsere Produkte sind mit der WEEE-Kennzeichnung versehen. Damit wird bestimmt, dass dieses Produkt NICHT als unsortierter Abfall entsorgt werden darf. Stattdessen wird Benutzern die Verantwortung übertragen, ihre Elektro- und Elektronik-Altgeräte an eine entsprechende Rücknahmeeinrichtung abzugeben oder an Mous® zur Wiederaufbereitung zu verbringen. Für weitergehende Informationen darüber, wohin Sie Ihre Altgeräte zum Recycling senden können, besuchen Sie bitte www.mous.co

Gewährleistung

Wir sind bei Mous® unserem Ziel verpflichtet, hochqualitative Produkte mit langem Lebensdauer herzustellen. Damit Sie dieses Produkt zurechtfinden können, gewähren wir Ihnen eine Garantie von zwei Jahren ab dem Tag der Lieferung. Für vollständige Einzelheiten über die Garantiebedingungen besuchen Sie bitte: www.mous.co/warranty Ihre gesetzlichen Rechtsansprüche werden damit nicht berührt. Bitte beachten Sie Ihren Verbraucherschutz für den Kaufnachweis sorgfältig auf.

Kundendienst

Benötigen Sie eventuell weitere Hilfe? Dann treten Sie bitte mit uns in Verbindung unter www.mous.co/pages/help

DK

For brugtagning

- Før du bruger enheden, skal du læse denne vejledning for at sikre sikker og korrekt anvendelse.
- Læs informationen på emballagen for at se, om produktet er kompatibelt med din enhed.
- Dine forbrugertilgæder er underlagt lovgivningen i det land, hvor du har købt produktet. Du bedes kontakte din tjenesteudbyder for at få flere oplysninger.

Vigtige sikkerhedsanvisninger – Advarsler

- Læs hele vejledningen samt advarsler, før du bruger produktet.
- Forkert brug af produktet kan medføre produktskader, overophedning, giftige dampe, brand eller eksplosion, hvor du ("Køber"), og ikke Mous Products Ltd. ("Producent"), er ansvarlig.
 - X Undlad at placere metalgenstande mellem telefon og oplader, da opladeren kan blive meget varm.
 - X Undlad at bruge eller opbevare enheder i omgivelser med høj temperatur, herunder varme fra kraftigt sollys eller andre former for varme, da dette kan reducere opladningseffektiviteten eller reducere produktets levetid.
 - X Undlad at placere produktet i ild eller andre meget varme omgivelser. Hvis produktet udsættes for ild eller ekstrem høj varme, kan det eksplodere.
 - X Produktet indeholder magneter. Det frarådes, at personer med pacemaker eller ICD-enhed (defibrillator) placerer den Ladestander med Qi2 inden for en radius på 20 cm fra deres implanterede enhed, da det kan forårsage forstyrrelser.
 - X Den Ladestander med Qi2 må ikke udsættes for fugt. Hvis den udsættes for fugt, kan det medføre kortslutning. Hvis der opstår kortslutning, skal du straks afbryde strømmen til den.
 - X Den Ladestander med Qi2 må ikke bruges ved højere udgangseffekt end angivet. Overbelastning ud over den angivne udgangseffekt kan medføre brandskade eller personskade.
 - X Undlad at skille produktet ad eller på nogen måde at forsøge at genbruge eller modificere det.
 - X Forsøg ikke at udfikfte nogen del af denne enhed. Modificering eller demontering kan medføre, at garantien ophæves.
 - X Brug af en strømforsyning eller oplader, der ikke anbefales af Mous®, kan medføre brandskade eller personskade.
 - X Hvis denne enhed er til rådighed for brug af en mindreårig, giver den voksne køber samtykke til at lade være ansvarlig for at føre opsyn, vejlede og advare. Køber giver samtykke til at forsvare, friholde og skadesløsholde Producenten for eventuelle kar eller erstatning, der opstår som følge af utilisget brug eller misbrug af en mindreårig.
 - X Alle produkter har gennemgået grundig kvalitetskontrol. Hvis din enhed bliver for varm, afgiver lugt, er deformeret, har synlige skader, eller opfører sig utypisk, skal du straks opbevare med at bruge produktet og kontakte Mous.
 - X Sluk for den Ladestander med Qi2, når den ikke er i brug.
 - X For at afbryde strømmen til den Ladestander med Qi2 skal du fjerne AC-adapteren fra stikkontakten.
 - X For at overholde FCC's krav om RF-eksponerings skal Ladestander med Qi2 anvendes med en afstand på mindst 20 cm til alle personer.

Lovpligtige oplysninger

Dette produkt er udelukkende beregnet til brug sammen med den korrekte enhed. Læs oplysningerne på emballagen for at se, om produktet er kompatibelt med din enhed. Producenten er ikke ansvarlig for eventuelle skader på enheder, der måtte opstå ved brug af dette produkt. Producenten er på ingen måde ansvarlig over for dig eller tredjepart for eventuelle skader, du eller tredjepart måtte lide som følge af brug, tilisget eller utilisget, eller misbrug af dette produkt i forbindelse med andre enheder eller tilbehør end den korrekte enhed, som dette produkt er beregnet til. Producenten er ikke ansvarlig for eventuelle skader som du eller tredjepart måtte lide som følge af misbrug af dette produkt som beskrevet ovenfor. Køber giver samtykke til at forsvare, friholde og skadesløsholde Producenten for eventuelle kar eller erstatning, der opstår som følge af utilisget brug eller misbrug herunder brug af en utilisget enhed. Mous® er et varemærke ejet af Mous Products Ltd. Qi2-logoet er et varemærke tilhørende Wireless Power Consortium. Apple®, MagSafe® og Apple Watch® er varemærker ejet af Apple Inc.

FCC Overensstemmelseserklæring

Mous® erklærer, at radioudstyret tilførelse opladningsbase opfylder kravene i Forordning 2014/53/EU. Hele teksten til EU-overensstemmelseserklæringen findes på følgende websted: www.mous.co

Teknologi	WPT
Anvendt frekvensområde	Qi2-modul (spole 1): Til telefon: 113kHz-205kHz, 360kHz, Qi-modul (spole 2): Til høretelefoner: 113kHz-205kHz.
Maksimal feltstyrke	23.02 dBuA/m (@3m)
Producent	Shenzhen Powerqi Technology Co., Ltd
Producentens adresse	201, 302, 401, BuildingA4, Block A, Fangxing Science&Tech.Park, No.13 of BaoNan Road, Longgang Community, Longgang Street, Longgang District, Shenzhen, China

WEEE-erklæring

Alle vores produkter er mærket med WEEE-symbolet. Dette indebærer, at dette produkt IKKE må bortskaffes sammen med andet affald. I stedet er det brugerens ansvar at bortskaffe sit elektriske og elektroniske udstyr ved at overdrage det til en godkendt genbrugsindsamler eller ved at returnere det til Mous® til opbejdring. For yderligere information om, hvortil du kan sende dit affaldsudyrt til genbrug, kan du besøge www.mous.co

Garanti

Hos Mous® stræber vi efter at fremstille produkter af høj kvalitet, der holder. For at give dig ro i sindet, har dette produkt 2 års garanti fra leveringsdatoen. Du kan finde alle oplysninger om garantivilkår og undtagelser på: www.mous.co/warranty. Denne garanti påvirker ikke eventuelle lovbestemte rettigheder, du måtte have. Gem en kopi af din købskvittering som købsbevis.

Kundeservice

Har du brug for mere hjælp? Kontakt os på www.mous.co/pages/help

ES

Antes del uso

- Para asegurarse de utilizar el dispositivo de forma segura y apropiada, por favor, lea esta guía antes de usarlo.
- Para determinar si este producto es compatible con su dispositivo, por favor, consulte el embalaje del dispositivo.
- Sus derechos de consumidor son regidos por la legislación del país donde adquirió el producto. Para más información, póngase en contacto con su proveedor de servicio.

Instrucciones importantes de seguridad – Advertencia

- Lea todas las instrucciones y las advertencias de seguridad antes de utilizar este producto. El uso indebido de este producto podría resultar en daños para el producto, calentamiento excesivo, gases tóxicos, incendio o explosión; Vd. (el "Comprador"), y no Mous Products Ltd. (el "Fabricante"), será el responsable de dichos daños.
- X No coloque objetos de metal entre el teléfono y el cargador, ya que el cargador podría calentarse excesivamente.
 - X No utilice ni almacene dispositivos en entornos de alta temperatura, incluyendo calor debido a luz solar directa u otras formas de calor, ya que esto puede reducir la eficiencia de carga o reducir la vida útil del producto.
 - X No arroje el producto al fuego o cualquier otro entorno excesivamente caliente. La exposición al fuego o calor extremadamente alto podría causar una explosión.
 - X Este producto está provisto de imanes. Se recomienda que los usuarios de marcapasos y DCI no coloquen la Soporte de carga con Qi2 dentro de un radio de 20 cm de distancia de su dispositivo implantado, ya que podría causar interferencias.
 - X No exponga al agua la Soporte de carga con Qi2. La exposición al agua podría causar cortocircuito. Si se produjera un cortocircuito, desconecte inmediatamente de la toma de corriente de la pared.
 - X No utilice la Soporte de carga con Qi2 por encima de su potencia nominal de salida. Sobrecargar la salida por encima de su potencia nominal puede resultar en riesgo de incendio o lesiones personales.
 - X No desmonte este producto ni intente readaptarlo o modificarlo en modo alguno.
 - No intente cambiar ninguna parte de este dispositivo. Cualquier modificación o desmontaje puede resultar en la anulación de la garantía.
 - X El empleo de un suministro de energía o cargador no recomendado por Mous® puede resultar en riesgo de incendio o lesiones personales.
 - X Si un menor tuviera, o pudiera tener, acceso a este dispositivo, el comprador adulto acordará ser exclusivamente responsable de proporcionar supervisión, instrucciones y advertencias. El comprador acuerda defender, indemnizar y mantener indemne al Fabricante de toda reclamación o daños surgidos del uso no intencionado o indebido por parte de un menor.
 - X Todos los productos se someten a una inspección exhaustiva de aseguramiento de la calidad. Si descubre que su dispositivo se calienta en exceso, emite olores, está deformado, muestra daños o cortes visibles, o experimenta o demuestra un fenómeno anormal, deje de utilizar el producto inmediatamente y póngase en contacto con Mous.
 - X Apague la Soporte de carga con Qi2 cuando no la utilice.
 - X Para desconectar la Soporte de carga con Qi2 de la toma directa de corriente, desenchufe el adaptador de CA del enchufe de CA.
 - X Para cumplir los requisitos de cumplimiento a la exposición a RF de FCC, la Soporte de carga con Qi2 se deberá utilizar a una distancia mínima de separación de 20 cm con respecto a las personas.

Legal

Este producto se deberá utilizar exclusivamente en conjunción con el dispositivo apropiado. Por favor, consulte el embalaje de su dispositivo para determinar si este producto es compatible con su dispositivo particular. El Fabricante no se responsabilizará de ningún daño a ningún dispositivo derivado del uso de este producto. El Fabricante no se responsabilizará en modo alguno ante Vd. o partes terceras de ningún daño que Vd. o partes terceras puedan sufrir como resultado del uso, voluntario o involuntario, o del uso indebido de este producto en conjunción con cualquier dispositivo o accesorio que no sea el dispositivo apropiado para el que este producto se ha diseñado. El Fabricante no se responsabilizará de ningún daño que Vd. o partes terceras puedan sufrir como resultado del uso indebido de este producto como se indicaba anteriormente. El Comprador acuerda defender, indemnizar y mantener indemne al Fabricante de toda reclamación o daños surgidos del uso no intencionado o indebido, incluido el uso con un dispositivo no intencionado. Mous® es una marca comercial de Mous Products Ltd. El logotipo de Qi2 es una marca registrada de Wireless Power Consortium. Apple®, MagSafe® y Apple Watch® son marcas comerciales de Apple Inc.

FCC Declaración de cumplimiento

Mous® declara que la base de carga inalámbrica de equipo de radio cumple la Directiva 2014/53/UE. El texto completo de la declaración de conformidad de la UE está disponible en la siguiente dirección de internet: www.mous.co

Tecnología	WPT
Rango de frecuencia operativo	Módulo Qi2 (bobina 1): para teléfono: 113kHz-205kHz, 360kHz, Módulo Qi (bobina 2): para auriculares: 113kHz-205kHz.
Fuerza máxima de campo	23.02 dBuA/m (@3m)
Fabricante	Shenzhen Powerqi Technology Co., Ltd
Dirección del fabricante	201, 302, 401, BuildingA4, Block A, Fangxing Science&Tech.Park, No.13 of BaoNan Road, Longgang Community, Longgang Street, Longgang District, Shenzhen, China

Declaración RAEE (Residuos de Aparatos Eléctricos y Electrónicos)

Todos nuestros productos llevan el símbolo WEEE (RAEE); este indica que este producto NO deberá desecharse con otros residuos. Por el contrario, el usuario es responsable de eliminar su equipo eléctrico y electrónico de desecho entregándolo a un reprocesador aprobado, o devolviéndolo a Mous® para ser reprocesado. Para más información sobre dónde enviar su equipo de desecho para ser reciclado, por favor, visite www.mous.co

Garantía

En Mous®, nos dedicamos a fabricar productos duraderos de alta calidad. Para su tranquilidad, este producto tiene una garantía de 2 años a partir de la fecha de entrega. Para información completa relacionada con los términos y las exclusiones de la garantía, por favor, visite: www.mous.co/warranty. Esta garantía no afectará a ningún derecho estatutario que le corresponda. Conserve una copia de su recibo de compra como prueba de compra.

Servicio al cliente

¿Necesita ayuda adicional? Póngase en contacto con nosotros en www.mous.co/pages/help

FI

Ennen käyttöä

- Lue tämä opas ennen laitteen käyttöä, jotta varmistetaan turvallinen ja asiallinen käyttö.
- Tarkista laitteen pakkauksesta, onko tämä tuote yhteensopiva oman laitteesi kanssa.
- Kuluuttajansuojakeuusi riippuvat maasta, josta olet ostanut tuotteen. Ota yhteys palveluntarjoajaan, jolta saa lisätietoja.

Tärkeiltä turvaohjeita – Varoitus

- Lue kaikki ohjeet ja varoitukset ennen tämän tuotteen käyttöä. Tämän tuotteen asianton käyttö voi aiheuttaa tuotevaurioita, kuumentamista, myrkyllisiä höyryjä, tulipalon tai räjähdyksen, joista olet vastuussa sinä ("Ostaja") eikä Mous Products Ltd. ("Valmistaja").
- X Älä laita metalliesineitä puhelimen ja laturin väliin, koska laturi saattaa kuumentua liikaa.
 - X Älä käytä tai säilytä laitteita kuumaan ympäristöön, jossa kuumaus johtuu esim. aurinkopaneista tai muusta lämmönlähteestä, sillä tuotteen latausteho saattaa kärsiä tai käyttöikä lyhentyä.
 - X Älä laita tuotetta tuleen tai muuhun liian kuumaan ympäristöön. Alitstiminen tullelle tai äärimmälliselle kuumuudelle voi aiheuttaa räjähdyksen.
 - X Tämä tuote sisältää magneetteja. Sydämentahdistimen ja ICD:n käyttäjien ei tule sijoittaa Qi2 latausteline 20 cm:n säteelle implantoidusta iäntestään häiriöiden välttämiseksi.
 - X Älä altista Qi2 latausteline vedelle. Alitstiminen vedelle voi aiheuttaa oikosulun. Jos oikosulku tapahtuu, katkaise virta heti pistorasista.
 - X Älä ylitä käytössä Qi2 latausteline nimellistehoä. Nimellisteho ylittävä kuormitus voi aiheuttaa tulipalon tai henkilövahingon vaaran.
 - X Älä pura tätä tuotetta tai yritä mitenkään muuttaa tai muokata sitä eri tarkoituksen.
 - X Älä yritä vaihtaa mitään tämän laitteen osaa. Kaikki muutokset

X Ne démontez pas ce produit et n'essayez pas de l'utiliser pour un autre usage que celui prévu ou de le modifier de quelque manière que ce soit.

X N'essayez pas de remplacer une partie de cet appareil. Toute modification ou tout démontage peut entraîner l'annulation de la garantie.

X L'utilisation d'un dispositif d'alimentation électrique ou d'un chargeur non recommandé par Mous® peut entraîner un risque d'incendie ou de blessure.

X Si cet appareil est accessible à un mineur ou peut être utilisé par un mineur, l'adulte acheteur accepte d'assumer la responsabilité exclusive de la supervision, de l'instruction et des avertissements.

L'acheteur s'engage à défendre, à indemniser et à déguer le fabricant de toute responsabilité pour toute réclamation ou tout dommage résultant d'une utilisation involontaire ou d'une mauvaise utilisation par un mineur.

X Tous les produits ont été soumis à une inspection approfondie d'assurance qualité. Si vous constatez que votre appareil est excessivement chaud, qu'il dégage une odeur, qu'il est déformé, abîmé, coupé ou qu'il présente ou démontre un phénomène anormal, cessez immédiatement toute utilisation du produit et contactez Mous.

X Éteignez le Support de chargement avec Qi2 lorsqu'il n'est pas utilisé.

X Pour déconnecter Support de chargement avec Qi2 de la tension du secteur, débranchez l'adaptateur secteur de la prise de courant.

X Afin de se conformer aux exigences de la FCC en matière d'exposition aux radiofréquences, le Support de chargement avec Qi2 doit être utilisé à une distance minimale de 20 cm de toute personne.

Mentions légales

Ce produit est destiné à être utilisé exclusivement avec l'appareil approprié. Veuillez consulter l'emballage de votre appareil spécifique pour déterminer si ce produit est compatible avec lui. Le fabricant décline toute responsabilité en cas de dommages causés à un appareil par l'utilisation de ce produit. Le fabricant ne pourra en aucun cas être tenu responsable vis-à-vis de vous ou d'un tiers de tout dommage que vous ou un tiers pourriez subir à la suite de l'utilisation, intentionnelle ou non, ou de la mauvaise utilisation de ce produit avec un appareil ou un accessoire autre que l'appareil approprié pour lequel il a été conçu. Le fabricant ne sera en aucun cas responsable des dommages que vous ou un tiers pourriez subir à la suite d'une mauvaise utilisation de ce produit telle que décrite ci-dessus. L'acheteur accepte de défendre, indemniser et déguer de toute responsabilité le fabricant en cas de réclamation ou de dommage résultant d'une utilisation non intentionnelle ou d'une mauvaise utilisation, y compris en cas d'utilisation avec un appareil non prévu à cet effet. Mous® est une marque déposée de Mous Products Ltd. Le logo Qi2 est une marque commerciale du Wireless Power Consortium. Apple®, MagSafe® et Apple Watch® sont des marques commerciales d'Apple Inc.

Déclaration FCC

Cet appareil est conforme à la partie 15 des règles de la FCC. Il pourra s'utiliser sous réserve des deux conditions suivantes : (1) il ne doit pas causer d'interférences nuisibles et (2) il doit tolérer toutes les interférences reçues, y compris celles qui sont susceptibles d'entraîner son fonctionnement indésirable. Tout changement ou modification non expressément approuvés par la partie responsable de la conformité pourra annuler le droit de l'utilisateur à faire fonctionner l'appareil. Cet équipement a été testé et déclaré conforme aux limites imposées aux appareils numériques de classe B, conformément à la partie 15 des règles de la FCC. Ces limites sont conçues pour offrir une protection raisonnable contre les interférences nuisibles dans les installations résidentielles. Cet équipement génère, utilise et peut émettre de l'énergie sous forme de fréquences radio et, faute d'être installé et utilisé conformément aux instructions, est susceptible de causer des interférences nuisibles aux communications radio. Rien ne garantit toutefois que des interférences ne se produiront pas dans une installation donnée. Si cet équipement provoque des interférences nuisibles à la réception de la radio ou de la télévision (ce qui peut se déterminer en éteignant et en allumant l'équipement), l'utilisateur pourra tenter de remédier aux interférences de l'une des façons suivantes :

- Réorienter ou déplacer l'antenne de réception.
- Eloigner l'appareil du récepteur.
- Brancher l'équipement sur une prise de courant correspondant à un circuit différent de celui auquel le récepteur est connecté.
- Consulter le revendeur ou un technicien expérimenté pour toute assistance.

Déclaration d'exposition aux radiations de la FCC

Cet équipement est conforme aux limites d'exposition aux radiations fixées par la FCC pour un environnement non contrôlé. Cet équipement doit être installé et utilisé avec une distance minimale de 20 cm entre le radiateur et votre corps.

Pour respecter les limites des appareils numériques de classe B, conformément à la partie 15 des règles de la FCC, cet appareil doit être employé en conjonction avec des périphériques certifiés et des câbles blindés. Tous les périphériques doivent être blindés et mis à la terre. L'utilisation de périphériques non certifiés ou de câbles non blindés pourra entraîner des interférences radio ou avec la réception.

Déclaration de conformité

Mous® déclare que la base de charge sans fil pour équipements radio est conforme à la directive 2014/53/EU. Le texte intégral de la déclaration de conformité de l'UE est disponible à l'adresse internet suivante : **www.mous.co**

Technologie	WPT
Gamme de fréquences de fonctionnement	Module Qi2 (bobine 1) : pour téléphone: 113kHz-205kHz, 360KHz, Module Qi (bobine 2) : pour les écouteurs: 113kHz-205kHz.
Intensité de champ maximale	23.02 dBuA/m (@3m)
Fabricant	Shenzhen Powerqi Technology Co., Ltd
Adresse du fabricant	201, 302, 401, BuildingA4, Block A, Fangxing Science&Tech, Park, No.13 of BaoNan Road, Longgang Community, Longgang Street, Longgang District, Shenzhen, China

Déclaration IC

Spécification des normes radio RSS-Gen, version 5.

Cet appareil contient un (des) émetteur(s)/récepteur(s) exempté(s) de licence qui est (sont) conforme(s) au(x) CNR exempté(s) de licence du ministère de l'Innovation, des Sciences et du Développement économique du Canada. Il pourra s'utiliser sous réserve des deux conditions suivantes :

- Il ne doit pas causer d'interférence,
- Il doit tolérer toutes les interférences reçues, y compris celles qui sont susceptibles d'entraîner son fonctionnement indésirable.

Déclaration d'exposition aux radiofréquences de l'IC

Cet équipement est conforme aux limites d'exposition aux radiations fixées par l'IC pour un environnement non contrôlé. Il doit être installé et utilisé avec une distance minimale de 10 cm entre le radiateur et votre corps.

Déclaration DEEE

Tous nos produits sont marqués du symbole DEEE, qui indique que ce produit ne doit PAS être jeté avec les autres déchets. Il incombe à l'utilisateur de se débarrasser de ses déchets d'équipements électriques et électroniques en les confiant à un retraiteur agréé ou en les renvoyant à Mous® pour retraitement. Pour plus d'informations sur les endroits où vous pouvez envoyer vos déchets d'équipement pour recyclage, veuillez consulter le site **www.mous.co**.

Garantie

Mous® s'engage à fabriquer des produits durables et de haute qualité. Pour votre tranquillité d'esprit, ce produit est garanti deux ans à compter de sa date de livraison. Le détail complet des conditions et des exclusions de la garantie est disponible sur le site : **www.mous.co/warranty**. Cette garantie n'affecte aucunement les droits statutaires auxquels vous pouvez prétendre. Conservez une copie de votre reçu comme preuve d'achat.

Service client

Besoin d'assistance ? N'hésitez pas à nous contacter à l'adresse **www.mous.co/pages/help**

IT

PT

Prima dell'utilizzo

- Leggere questa guida prima di utilizzare il dispositivo per garantire un uso sicuro e corretto.
- Controllare sulla confezione del dispositivo per verificare che questo prodotto sia compatibile con il dispositivo stesso.
- I diritti dei consumatori sono disciplinati dalla legge del paese in cui è stato acquistato il prodotto. Per ulteriori informazioni contattare il proprio fornitore di servizi.

Istruzioni importanti sulla sicurezza – avvertenza

Leggere tutte le istruzioni e le avvertenze prima di utilizzare questo prodotto. L'utilizzo improprio di questo prodotto può causare danni al prodotto stesso, calore eccessivo, fumi tossici, incendi o esplosioni, che saranno responsabilità di chi ha acquistato il prodotto ("Acquirente") e non di Mous Products Ltd. ("Produttore").

X Non posizionare oggetti metallici tra il telefono e la caricabatterie, poiché quest'ultimo potrebbe surriscaldarsi.

X Non utilizzare o conservare i dispositivi in ambienti con temperatura elevata, compreso il calore causato dalla luce solare intensa o da altre fonti di calore, poiché ciò potrebbe ridurre l'efficienza della carica o la durata del prodotto.

X Non mettere il prodotto su fuochi o in altri ambienti eccessivamente caldi. L'esposizione al fuoco o a calore estremamente elevato può causare esplosioni.

X Questo prodotto è dotato di magneti. Alle persone che hanno un pacemaker o un defibrillatore impiantabile si consiglia di non posizionare il Supporto di ricarica con Qi2 entro un raggio di 20 cm dal dispositivo impiantato, poiché potrebbe causare interferenze.

X Non permettere che il Supporto di ricarica con Qi2 entri in contatto con l'acqua. Il contatto con l'acqua può provocare un cortocircuito. In caso di cortocircuito, staccare immediatamente il dispositivo dalla presa.

X Non utilizzare il Supporto di ricarica con Qi2 oltre la sua potenza di uscita nominale. Il sovraccarico delle uscite al di sopra dei valori nominali può comportare il rischio di incendio o di lesioni alle persone.

X Non smontare il prodotto e non tentare di riutilizzarlo o modificarlo in alcun modo.

X Non tentare di sostituire alcuna parte del dispositivo. Qualsiasi modifica o smontaggio può

comportare l'annullamento della garanzia.

X L'utilizzo di un alimentatore o di un caricabatterie non raccomandato da Mous® può comportare il rischio di incendio o di lesioni alle persone.

X Se questo dispositivo è accessibile a un minore o può essere utilizzato da un minore, l'adulto che lo acquista accetta di essere l'unico responsabile di fornire supervisione, istruzioni e avvertimenti. L'acquirente si impegna a difendere, manlevare e tenere indenne il Produttore da qualsiasi reclamo o danno derivante da un uso involontario o improprio da parte di un minore.

X Tutti i prodotti sono stati sottoposti a un accurato controllo della qualità. Se si nota che il dispositivo è eccessivamente caldo, emette odori, è deformato, abraso, tagliato o presenta o manifesta un comportamento anomalo, interrompere immediatamente l'uso del prodotto e contattare Mous.

X Spegnere il Supporto di ricarica con Qi2 quando non in uso.

X Per scollegare il Supporto di ricarica con Qi2 dalla tensione di rete, estrarre l'adattatore CA dalla presa di corrente.

X Per garantire la conformità ai requisiti FCC sull'esposizione alle radiofrequenze, il Supporto di ricarica con Qi2 deve essere utilizzato a una distanza di almeno 20 cm da tutte le persone.

Note legali

Questo prodotto è destinato esclusivamente all'uso in combinazione con il dispositivo appropriato. Controllare sulla confezione del dispositivo per verificare che questo prodotto sia compatibile con il dispositivo stesso. Il Produttore non è responsabile di eventuali danni al dispositivo causati dall'utilizzo di questo prodotto. Il Produttore non sarà in alcun modo responsabile nei confronti dell'Acquirente o di terzi per eventuali danni subiti dall'Acquirente o da terzi in seguito all'uso, intenzionale o non intenzionale, o all'uso improprio del prodotto in combinazione con un dispositivo o un accessorio diverso dal dispositivo appropriato per il quale il prodotto è stato progettato. Il Produttore non sarà responsabile di eventuali danni subiti dall'Acquirente o da terzi a causa di un uso improprio del prodotto come sopra descritto. L'Acquirente si impegna a difendere, manlevare e tenere indenne il Produttore da qualsiasi reclamo o danno derivante da un uso involontario o improprio, compreso l'uso con un dispositivo non adatto. Mous® è un marchio commerciale di Mous Products Ltd. Il logo Qi2 è un marchio del Wireless Power Consortium. Apple®, MagSafe® e Apple Watch® sono marchi commerciali di Apple Inc.

FCC Dichiarazione di conformità

Mous® dichiara che la base di ricarica wireless per apparecchiature radio è conforme alla Direttiva 2014/53/UE. Il testo completo della dichiarazione di conformità UE è disponibile al sito web: **www.mous.co**.

Tecnologia	WPT
Gamma di frequenze operative	Modulo Qi2 (bobina 1): per telefono: 113kHz-205kHz, 360KHz, Modulo Qi (bobina 2): per auricolari: 113kHz-205kHz.
Intensità di campo massima	23.02 dBuA/m (@3m)
Produttore	Shenzhen Powerqi Technology Co., Ltd
Indirizzo del Produttore	201, 302, 401, BuildingA4, Block A, Fangxing Science&Tech, Park, No.13 of BaoNan Road, Longgang Community, Longgang Street, Longgang District, Shenzhen, China

Dichiarazione RAE

Tutti i nostri prodotti sono contrassegnati dal simbolo RAE, che indica che il prodotto NON deve essere smaltito insieme ad altri rifiuti. È invece responsabilità dell'Acquirente smaltire i propri rifiuti di apparecchiature elettriche ed elettroniche consegnandoli a una struttura di raccolta separata per il recupero e il riciclaggio o restituendoli a Mous® per il ricondizionamento. Per ulteriori informazioni su dove inviare le apparecchiature di scarto per il riciclaggio, visitare **www.mous.co**

Garanzia

Mous® si impegna a realizzare prodotti di alta qualità che durino nel tempo. Per offrire la massima tranquillità, questo prodotto è garantito per 2 anni dalla data di consegna. Per maggiori dettagli sui termini e le esclusioni della garanzia, visitare la pagina: **www.mous.co/warranty**. La presente garanzia non pregiudica i diritti previsti dalla legge. Conservare una copia dello scontrino come prova d'acquisto.

Servizio clienti

Serve altro aiuto? Contattare **www.mous.co/pages/help**

NL

Vóór het gebruik

- Lees eerst deze handleiding door voor een veilig en correct gebruik van het apparaat.
- Raadpleeg de verpakking van uw apparaat om te bepalen of dit product compatibel is met uw apparaat.

• Uw consumentenrechten vallen onder de wetgeving van het land waarin u het product hebt gekocht. Neem voor meer informatie contact op met uw serviceprovider.

Belangrijke veiligheidsinstructies – Waarschuwing

Lees alle instructies voordat u dit product gebruikt. Onjuist gebruik van dit product kan leiden tot schade aan het product, oververhitting, giftige dampen, brand of ontplofing, waarvoor ("Koper") en niet Mous Products Ltd. ("Fabrikant") verantwoordelijk bent.

X Plaats geen metalen voorwerpen tussen de telefoon en de oplader, want de oplader kan erg heet worden.

X Gebruik de apparat niet in een omgeving met een hoge temperatuur, of bijvoorbeeld waar warmte ontstaat ten gevolge van sterk zonlicht of andere warmtebronnen aangezien dit het opladen

minder efficiënt kan maken of de levensduur van het product kan verkorten.

X Leg het product niet in of bij vlammen of op uiterst warme plekken. Blootstelling aan vuur of uiterst hoge warmte kan een explosie veroorzaken.

X Dit product is voorzien van magneten. Pacemakers en ICD-gebruikers worden geadviseerd de Oplaadstandaard met Qi2 niet binnen een straal van 20 cm van hun geïmplanteerde apparaat te laten komen, omdat dit storing kan veroorzaken.

X Zorg dat de Oplaadstandaard met Qi2 niet in aanraking met water komt. Contact met water kan kortsluiting veroorzaken. Als er kortsluiting optreedt, onmiddellijk uit het stopcontact halen.

X Gebruik de Oplaadstandaard met Qi2 niet boven zijn aangegeven capaciteit. Overbelasting van outputs boven de aangegeven waarde kan leiden tot brandgevaar of persoonlijk letsel.

X Dit product niet uit elkaar nemen, aanpassen of voor andere doeleinden gebruiken.

X Niet zelf proberen onderdelen van dit apparaat te vervangen. Aanpassingen of demontage kan de garantie ongedaan maken.

X Het gebruik van stroomvoorziening of oplader die niet door Mous® wordt aanbevolen, kan leiden tot brandgevaar of persoonlijk letsel.

X Als dit apparaat beschikbaar is voor of misschien gebruikt wordt door een minderjarige, stemt de aankopende volwassene ermee in als enige verantwoordelijk te zijn voor toezicht, instructie en waarschuwingen. De Koper gaat ermee akkoord de Fabrikant te verdedigen, te vrijwaren en schadeloos te stellen voor claims of schade die voortvloeien uit onbedoeld gebruik of misbruik door een minderjarige.

X Alle producten ondergaan een strenge kwaliteitscontrole. Als u merkt dat uw apparaat te heet wordt, een vreemde geur heeft, vervormd is, zichtbaar beschadigd is of erin gesneden is, of er vreemd uitziet, stop dan onmiddellijk met het gebruik van het product en neem contact op met Mous.

X Schakel de Oplaadstandaard met Qi2 uit als hij niet wordt gebruikt.

X Om contact van de Oplaadstandaard met Qi2 met netstroom te verbreken, de AC-adapter uit het stopcontact halen.

X Ingevolge de FCC-vereisten inzake blootstelling aan RF-straling, moet de Oplaadstandaard met Qi2 op minstens 20 cm afstand van personen worden gebruikt.

Wettelijke voorschriften

Dit product mag alleen worden gebruikt in combinatie met het juiste apparaat. Raadpleeg de verpakking van uw apparaat om te bepalen of dit product compatibel is met uw apparaat. De fabrikant is niet aansprakelijk voor eventuele schade aan een apparaat veroorzaakt door gebruik. De fabrikant is op geen enkele wijze jegens u of derden aansprakelijk voor enige schade die u of derden mogelijk ondervinden als gevolg van gebruik, bedoeld of onbedoeld, of misbruik van dit product in combinatie met een ander apparaat of toebehoren dan het juiste apparaat waarvoor dit product is ontworpen. De fabrikant is niet verantwoordelijk voor enige schade die u of derden mogelijk ondervinden als gevolg van verkeerd gebruik van dit product zoals hierboven beschreven. De Koper gaat ermee akkoord de Fabrikant te verdedigen, te vrijwaren en schadeloos te stellen voor claims of schade die voortvloeien uit onbedoeld gebruik of misbruik door een minderjarige. Mous® is een handelsmerk van Mous Products Ltd. The Qi2 logo is a trademark of the Wireless Power Consortium. Apple®, MagSafe® en Apple Watch® zijn handelsmerken van Apple Inc.

FCC Verklaring van overeenstemming

Mous® verklaart dat de draadloze laadvoet voor radioapparatuur in overeenstemming is met Richtlijn 2014/53/EU. De volledige tekst van de EU-conformiteitsverklaring is te lezen op het volgende internetadres: **www.mous.co**

Technologie	WPT
Frequentiebereik	Qi2-module (spoel 1): voor telefoon: 113kHz-205kHz, 360KHz, Qi-module (spoel 2): voor oortelefoons: 113kHz-205kHz.
Maximale veldsterkte	23.02 dBuA/m (@3m)
Fabrikant	Shenzhen Powerqi Technology Co., Ltd
Adres fabrikant	201, 302, 401, BuildingA4, Block A, Fangxing Science&Tech, Park, No.13 of BaoNan Road, Longgang Community, Longgang Street, Longgang District, Shenzhen, China

AEEA-verklaring

Al onze producten zijn voorzien van het AEEA (Recycling van afgedankte elektrische en elektronische apparatuur) symbool, dat aangeeft dat dit product NIET met ander afval mag worden verwijderd. In plaats daarvan is het de verantwoordelijkheid van gebruikers om hun afgedankte elektrische en elektronische apparatuur in te leveren bij een erkende herverwerker of terug te sturen naar Mous® voor herverwerking. Ga voor meer informatie over bestemmingen waar u uw afgedankte apparatuur voor recycling naartoe kunt sturen naar **www.mous.co**

Garantie

Bij Mous® zijn we er volledig op gericht om producten van hoge kwaliteit te maken die lang meegaan. Ter geruststelling heeft dit product een garantie van 2 jaar vanaf de leveringsdatum. Ga voor volledige informatie over garantievoorwaarden en uitsluitingen naar: **www.mous.co/warranty**. Deze garantie heeft geen invloed op uw eventuele wettelijke rechten. Bewaar een kopie van uw aankoopbon als bewijs van aankoop.

Klantendienst

Extra hulp nodig? Ga naar **www.mous.co/pages/help** en neem contact met ons op.

BR

Antes de usar

• Por favor leia este guia antes de usar o dispositivo, para assegurar uma utilização segura e correta do mesmo.

• Por favor consulte a embalagem do seu dispositivo, para determinar se este produto é compatível com esse dispositivo,

- Os seus direitos de consumidor regem-se pela lei do país onde adquiriu o produto. Para mais informações, queira contactar o seu provedor de serviços.

Instruções de segurança importantes - Aviso

Leia todas as instruções e advertências antes de utilizar este produto. A utilização incorreta deste produto pode resultar em danos no mesmo, excesso de calor, fumos tóxicos, incêndio ou explosão, pelos quais o utilizador ("Comprador"), e não a Mous Products Ltd. ("Fabricante"), é responsável. X Não coloque objetos metálicos entre o telefone e o carregador, pois o carregador pode ficar muito quente.

X Não utilize nem guarde os dispositivos em ambientes com temperaturas elevadas, incluindo o calor provocado por luz solar intensa ou outras formas de calor, pois tal pode reduzir a eficiência da carga ou reduzir o tempo de vida útil do produto.

X Não coloque o produto no fogo ou noutros ambientes excessivamente quentes. A exposição ao fogo ou a calor extremamente elevado pode provocar uma explosão.

X Este produto está equipado com ímanes. Aconselha-se os utilizadores de pacemaker e DCI a não colocar o Suporte de carregamento com Qi2 dentro de um raio de 20 cm do dispositivo implantado, uma vez que pode causar interferência.

X Não exponha o Suporte de carregamento com Qi2 à água. A exposição à água pode resultar em curto-circuito. Se ocorrer um curto-circuito, desligue imediatamente da corrente.

X Não utilize o Suporte de carregamento com Qi2 para além da sua capacidade de saída.

X Sobrecarga de saída acima da sua potência pode resultar em risco de incêndio ou ferimentos em pessoas.

X Não desmonte este produto, nem tente reutilizá-lo ou modificá-lo seja de que maneira for.

X Não tente substituir qualquer peça deste dispositivo. Qualquer modificação ou desmontagem pode resultar na anulação da garantia.

X O uso de uma fonte de alimentação ou carregador não recomendado pela Mous® pode resultar em risco de incêndio ou ferimentos em pessoas.

X Se este dispositivo estiver acessível a ou puder ser utilizado por um menor, o adulto comprador concorda em ser o único responsável pela supervisão, instrução e avisos. Os Compradores concordam em defender, indemnizar e isentar o Fabricante de quaisquer reclamações ou danos resultantes de uma utilização não intencional ou incorrecta por um menor.

X Todos os produtos foram submetidos a uma inspeção minuciosa de garantia de qualidade. Se verificar que o seu dispositivo está excessivamente quente, emite maus cheiros, está deformado, desgastado, cortado ou apresenta algo anormal, interrompa imediatamente a utilização do produto e contacte a Mous.

X Desligue o Suporte de carregamento com Qi2 da corrente, quando não estiver a ser utilizado.

X Para desligar da corrente o Suporte de carregamento com Qi2, retire o adaptador CA da tomada CA. X Para cumprir os requisitos de conformidade de exposição à RF da FCC, o Suporte de carregamento com Qi2 deve ser utilizado a uma distância de pelo menos 20 cm de todas as pessoas.

Legal

Este produto destina-se a ser utilizado apenas em conjunto com o dispositivo adequado. Por favor, consulte a embalagem do seu dispositivo para determinar se este produto é compatível com o seu dispositivo específico. O fabricante não se responsabiliza por quaisquer danos, em qualquer dispositivo, resultantes da utilização deste produto. O fabricante não será de forma alguma responsável, perante o utilizador ou terceiros por quaisquer danos que o utilizador ou terceiros possam sofrer em resultado da utilização, intencional ou não, ou da utilização incorrecta deste produto em conjunto com qualquer dispositivo ou acessório que não seja o dispositivo adequado para o qual este produto foi concebido. O fabricante não será responsável por quaisquer danos que o utilizador ou terceiros possam sofrer em resultado da utilização incorrecta deste produto, tal como acima descrito. O comprador concorda em defender, indemnizar e isentar o Fabricante de quaisquer reclamações ou danos resultantes do uso não intencional ou indevido, incluindo o uso com um dispositivo não intencional. Mous® é uma marca registada da Mous Products Ltd. Het Qi2-logo is een handelsmerk van het Wireless Power Consortium. Apple®, MagSafe® e Apple Watch® são marcas comerciais da Apple Inc.

FCC Declaração de conformidade

A Mous® declara que a base de carregamento sem fios do equipamento de rádio está em conformidade com a Diretiva 2014/53/UE. O texto completo da declaração de conformidade da UE está disponível no seguinte endereço da Internet: **www.mous.co**

Tecnologia	WPT
Faixa de frequência de operação	Módulo Qi2 (Bobina 1): Para Telefone: 113kHz-205kHz, 360KHz, Módulo Qi (Bobina 2): Para Fones de Ouvido: 113kHz-205kHz.
Força máxima de campo	23.02 dBuA/m (@3m)
Fabricante	Shenzhen Powerqi Technology Co., Ltd
Endereço do fabricante	201, 302, 401, BuildingA4, Block A, Fangxing Science&Tech, Park, No.13 of BaoNan Road, Longgang Community, Longgang Street, Longgang District, Shenzhen, China

Déclaration WEEE (REEE - Resíduos de aparelhos elétricos e electrónicos)

Todos os nossos produtos são marcados com o símbolo WEEE (REEE); isso indica que este produto NÃO deve ser descartado com outros resíduos. Em vez disso, é da responsabilidade do usuário descartar os seus resíduos de equipamentos elétricos e electrónicos, entregando-os a um reprocessador aprovado, ou devolvendo-os à Mous® para reprocessamento. Para obter mais informações sobre os locais para onde poderá enviar o seu equipamento usado para reciclagem, por favor visite **www.mous.co**.

Garantia

Não Mous® dedicamo-nos a fabricar produtos de alta qualidade. Para vos dar tranquilidade, este produto tem uma garantia de 2 anos a contar da data de entrega. Para obter detalhes sobre os termos de garantia e exclusões, visite: **www.mous.co/warranty**. Esta garantia não afeta quaisquer direitos legais a que possa ter direito. Guarde uma cópia do recibo de compra como prova de compra.

Serviço de Apoio ao Cliente

Precisa de mais ajuda? Entre em contacto connosco em **www.mous.co/pages/help**

SV

Före användning

- Läs denna guide innan du använder enheten för att säkerställa säker och korrekt användning.
- Se förpackningen för din enhet för att fastställa om denna produkt är kompatibel med din enhet.
- Dina konsumenträttigheter styrs av lagstiftningen i det land där du köpte produkten. Kontakta din tjänsteleverantör för mer information.

Viktiga säkerhetsanvisningar – Varning

Läs alla anvisningar och varningar innan du använder denna produkt. Felaktig användning av denna produkt kan leda till produktskada, överhettning, giftiga gaser, brand eller explosion, för vilka du ("Köparen"), och inte Mous Products Ltd. ("Tillverkaren") är ansvarig. X Placera inte metallföremål mellan telefon och laddare eftersom laddaren kan bli mycket varm. X Använd inte och förvara inte enheter i miljöer med hög temperatur, inklusive hetta orsakad av intensivt solljus eller andra värmekällor, eftersom detta kan minska laddningseffektiviteten eller minska produktens livslängd.

X Placera inte produkten i eld eller andra mycket heta miljöer. Om produkten utsätts för eld eller mycket höga temperaturer kan det orsaka explosion.

X Denna produkt innehåller magneter. Personer med pacemaker eller implantat/brand defibrillator (ICD)

• tillråds att inte placera Laddningsställ med Qi2 inom en radie på 20 cm från den implanterade enheten eftersom det kan orsaka störningar.

X Utsätt inte Laddningsställ med Qi2 för vatten. Exponering för vatten kan leda till kortslutning. Koppla omedelbart från strömmen om kortslutning uppstår.

X Använd inte Laddningsställ med Qi2 över dess märkeffekt. Överbelastning över märkeffekt kan leda till risk för brand eller personskada.

X Demontera inte denna produkt och försök inte att anpassa eller modifiera den på något sätt. X Försök inte att byta ut någon del av denna enhet. Försök till modifiering eller demontering kan leda till att garantin upphävs.

X Användning av strömförsörjning eller laddare som inte rekommenderas av Mous® kan leda till risk för brand eller personskada.

X Om denna enhet är tillgänglig för eller kan användas av minderårigt samtycker den vuxna köparen till att vara ensam ansvarig för att tillhandahålla tillsyn, instruktioner och varningar. Köparen samtycker till att försvara, gottgöra och hålla Tillverkaren skadeslös för eventuella anspråk eller ersättningar som uppkommer till följd av oavsiktlig användning eller felanvändning av minderårig.

X Alla produkter har genomgått en grundlig kvalitetsssäkringsinspektion. Om du upptäcker att enheten är överhettad, ger från sig lukt, är deformationad, skadad, skuren eller uppvisar ett onormalt fenomen, sluta omedelbart att använda produkten och kontakta Mous.

X Stäng av Laddningsställ med Qi2 när det inte används.

X Dra ut AC-adaptern från AC-uttaget för att koppla från Laddningsställ med Qi2 från nätuttaget.

X För att uppfylla FCC-kraven för RF-exponering måste Laddningsställ med Qi2 användas